



Surface mounted slot ventilator

Specific Benefits

- Unique occupant controllable tilting T-bar
- Deflects air up or down, or both
- Rounded integral shape
- For use over 13mm slot
- Choice of external C13 canopy or GS13 grille
- Screw fix or clip fix versions (GS13 clip fix only)
- 2000mm² or 4000mm² versions
- Based on successful Trimvent principle
- Sculpted finger recess
- Matching screw covers
- Patented and registered design
- Available in vent and canopy pre packs
- Remote control vent available
- Sleeve for hollow profiles available

Manufactured from

S13 - PBTP (UV stable) & POM, C13 - PVCu, GS13 - PP

Recommended screws

S13 - No.7 or No.8 Countersunk Head
C13 - No.6 Pan or Round Head

Airflow

S13/C13 4000	S13/C13 2000
2 Pa = 6.1m ³ /hr @ STP	2 Pa = 2.1m ³ /hr @ STP
5 Pa = 14.3m ³ /hr @ STP	5 Pa = 5.2m ³ /hr @ STP
10 Pa = 24.6m ³ /hr @ STP	10 Pa = 9.8m ³ /hr @ STP

Acoustic properties

Details on request

Specifiers text

Go to www.titon.com/spectext or available on request

Standards

Trimvent Select range tested in accordance with BS 6375 Part 1 - 1989 "Performance of windows - classification for weathertightness"

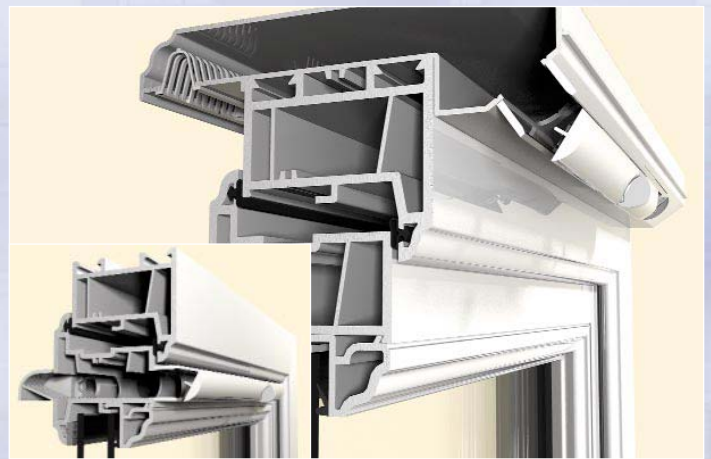
Full test results available on request

Details (screw fix)

Product	Code	L	W	P Closed-Open	Slot Size
S13 2000	TS1132050	265	18.5	20 - 26	223 x 13
S13 2000 Remote Control	TS6132050	265	18.5	32.5	
C13 2000	TS2132020	267	17	24	173.5 + 20 + 173.5 x 13
S13 4000	TS1134050	411	18.5	20 - 26	
S13 4000 Remote Control	TS6134050	411	18.5	32.5	
C13 4000	TS2134020	412	17	24	
GS13 4000	TS3134050	192 each (2 no.)	17	14	



Trimvent Select S13 ventilator



S13 through sash with C13

S13 overhead section with GS13



All dimensions in mm